

McCULLOCH®

Flymo

ILLUSTRATED PARTS LIST

REX 450-500-700 POWER TRIM 500-700

SERIAL NUMBER PREFIX - 01

CE



January 2002

| | PN ELX | PN McC | | | |
|------------------|--------|-----------|-----------|-----------------------|---|
| FIGURE 1A | | | | | |
| C | 1 | 538242415 | 242415 | Power Trim 500 | 1 |
| C | 1 | 538242414 | 242414 | Power Trim 700 | 1 |
| | 3 | 538227123 | 227123 | Power Trim 500-700 | 1 |
| FIGURE 2 | | | | | |
| C | 1 | 538242416 | 242416 | Power Trim 500-700 | 1 |
| A | 2 | 538248750 | 248750 | Power Trim 500-700 | 1 |
| B | 3 | 538248751 | 248751 | Power Trim 500-700 | 1 |
| FIGURE 1 | | | | | |
| C | 1 | 538241564 | 241564 | REX 450 | 1 |
| C | | 538241565 | 241565 | REX 500 | 1 |
| C | | 538241566 | 241566 | REX 700 | 1 |
| C | 2 | 538241666 | 241666 | REX 450 | 1 |
| C | 2 | 538241667 | 241667 | REX 500-700 | 1 |
| 3 | | 538235500 | 235500 | REX 450-500-700 | 1 |
| 4 | | 538241567 | 241567 | REX 450-500-700 | 1 |
| 5 | | 538241575 | 241575 | REX 450-500-700 | 1 |
| 6 | | 538241662 | 241662 | UK REX 450-500-700 | 1 |
| 6 | | 538242373 | 242373 | UK Power Trim 500-700 | 1 |
| 6 | | 538241660 | 241660 | SCHUKO | 1 |
| 6 | | 538241661 | 241661 | CH REX 450-500-700 | 1 |
| 7 | | 538241751 | 241751 | REX 450-500-700 | 1 |
| 8 | | 538241570 | 241570 | | 1 |
| 9 | | 538241513 | 241513 | REX 450 | 1 |
| 9 | | 538241562 | 241562 | REX 500-700 | 1 |
| 9 | | 538242381 | 242381 | Power Trim 500-700 | 1 |
| 10 | | 538241512 | 241512 | REX 450 | 1 |
| 10 | | 538241561 | 241561 | REX 500-700 | 1 |
| 10 | | 538242380 | 242380 | Power Trim 500-700 | 1 |
| C | 11 | 538242379 | 242379 | REX 450-500-700 | 1 |
| C | 11 | 538241560 | 241560 | Power Trim 500-700 | 1 |
| 12 | | 538240862 | 240862 | | 7 |
| 13 | | 538241571 | 241571 | | 1 |
| 14 | | 538240794 | 240794 | | 1 |
| 15 | | 53832222 | 32222 | BLACK | 1 |
| 15 | | 538241814 | 241814 | GREY | 1 |
| 16 | | 538241568 | 241568 | BLACK | 1 |
| 16 | | 538242372 | 242372 | GREY | 1 |
| 17 | | 538324295 | 324295 | | 1 |
| C | 18 | 538241507 | 241507 | BLACK | 1 |
| C | 18 | 538242419 | 242419 | GREY | 1 |
| 19 | | 538324316 | 324316 | | 1 |
| 20 | | 538235248 | 235248 | | 1 |
| C | 21 | 538324773 | 324477-73 | BLACK | 1 |
| C | 21 | 538242375 | 242375 | GREY | 1 |
| C | 22 | 538241573 | 241573 | | 1 |
| C | 23 | 538324462 | 324462-73 | BLACK | 1 |
| C | 23 | 538242374 | 242374 | GREY | 1 |
| C | 24 | 538241509 | 241509 | BLACK | 1 |
| C | 24 | 538242384 | 242384 | GREY | 1 |
| C | 25 | 538324458 | 324458-73 | BLACK | 1 |
| C | 25 | 538242377 | 242377 | GREY | 1 |
| C | 26 | 538324463 | 324463-61 | BLACK | 1 |
| C | 26 | 538242376 | 242376 | GREY | 1 |
| C | 27 | 538241574 | 241574 | | 1 |
| 28 | | 538240862 | 240862 | | 8 |
| C | 29 | 538241576 | 241576 | | 1 |
| C | 30 | 538324457 | 324457-73 | BLACK | 1 |
| C | 30 | 538242378 | 242378 | GREY | 1 |
| 31 | | 538241511 | 241511 | YELLOW | 1 |
| 31 | | 538242383 | 242383 | ORANGE | 1 |
| 32 | | 538241510 | 241510 | YELLOW | 1 |
| 32 | | 538242382 | 242382 | ORANGE | 1 |
| 33 | | 538240862 | 240862 | | 2 |
| 34 | | 538241052 | 241052 | | 1 |
| 35 | | 538241051 | 241051 | | 1 |
| A | 36 | 538302628 | 302628B | REX 450 (5 pcs) | 1 |
| A | 36 | 538302629 | 302629B | REX 500-700 (5 pcs) | 1 |

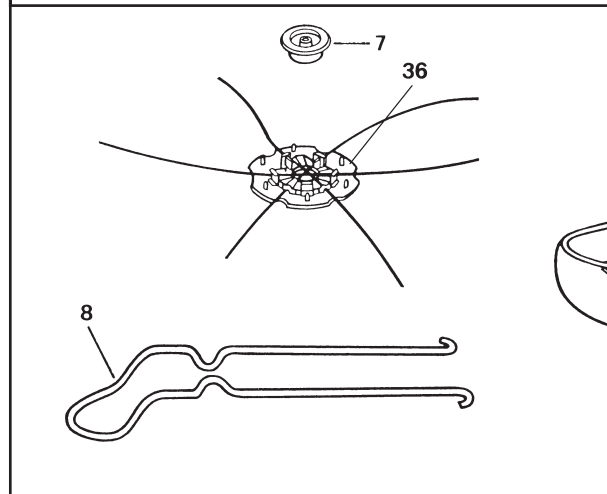
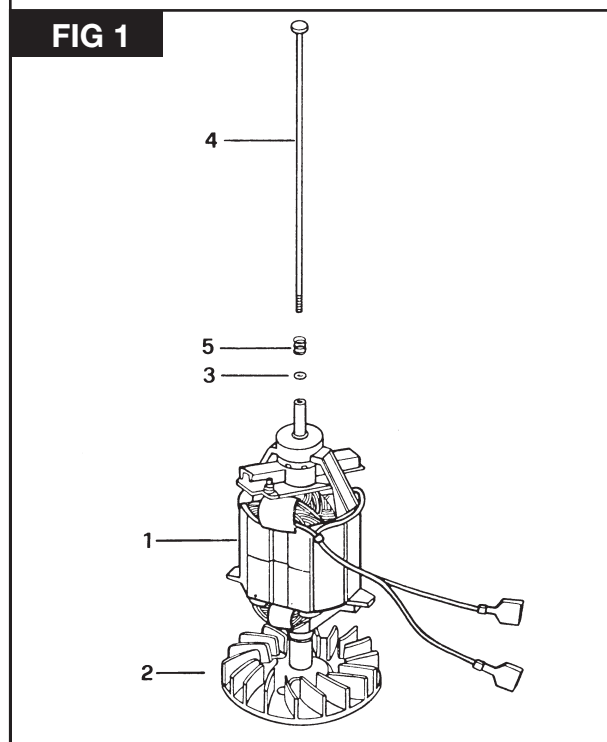
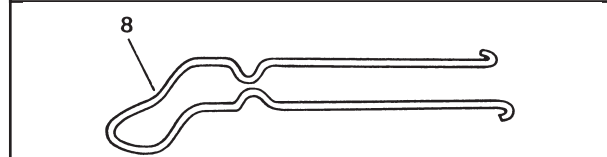
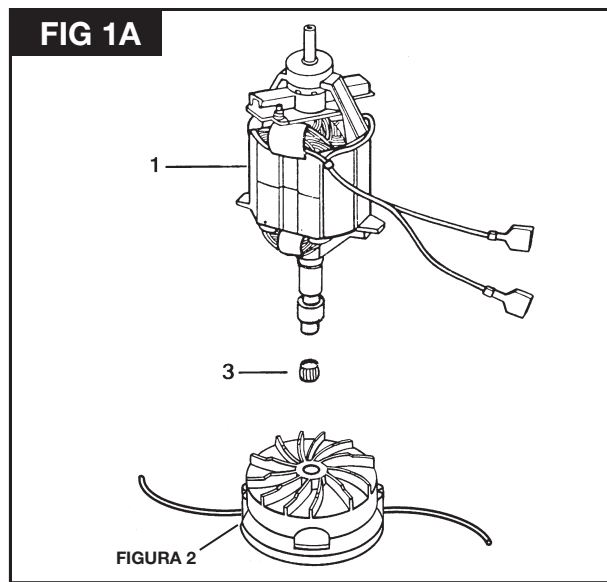


FIGURE 1

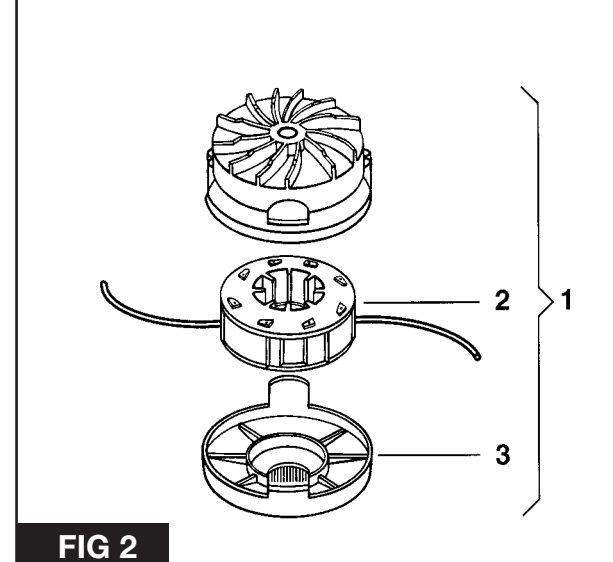
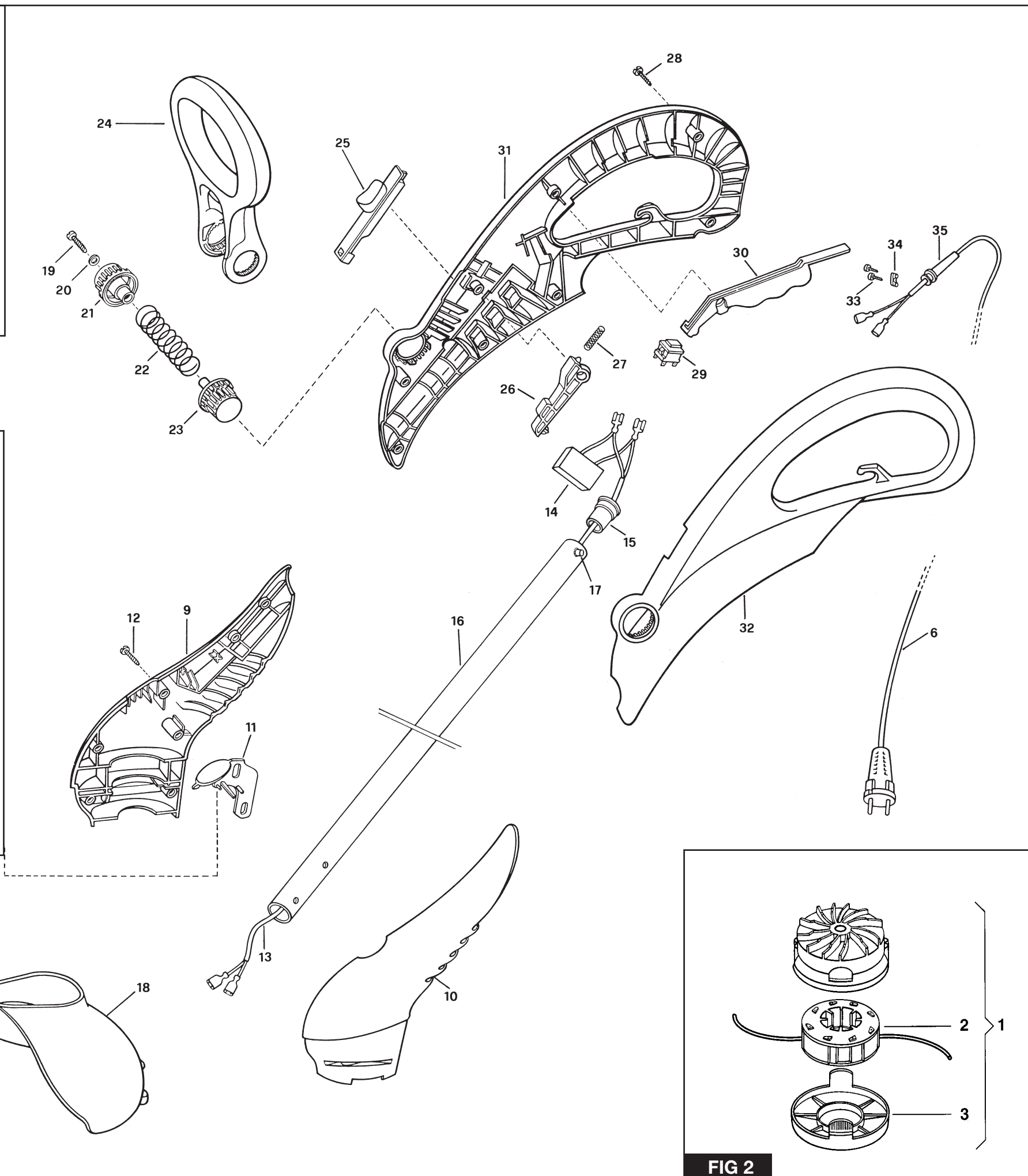


FIG 2

A = high moving - alta rotazione - haute demande - große Nachfrage
 B = medium moving - media rotazione - moyenne demande - mittelmäßige Nachfrage
 C = slow moving - bassa rotazione - basse demande - wenige Nachfrage